



**Superior Quality Custom Made Aluminium Extrusions**

UNIC Aluminium Extrusions (UAE) is a part of UNIC ALUTECH PVT LTD, We at UAE engaged in manufacturing standard and custom made aluminium extrusions. Having corporate office in Bangalore, and plant in Hyderabad, the Company offers high quality aluminium extrusion profiles and superior customer service. We have customers range from one man engineering shops to multinational engineering companies.

UAE strives to continuously expand its aluminium extrusion business, achieve excellence and be the supplier of first choice to its customers.

UAE is the first Extrusion Company in India, which has wood treatment on Aluminium profiles in liquid paint technology.



## Plant & set up

Our plant has two PLC controlled extrusion presses of 900 MT and 600 MT, which are capable of producing a variety of profiles as per customer's requirements. We have developed many profiles over a period of time, simple to complex, for a variety of applications.

We have our own foundry with tilting furnaces and hot top system to make billets covering a wide range of alloys. Complete metal treatment procedures as degassing, grain refining and filtration are carried out. The alloys are analyzed to ensure that they are within the limits required. And so, our customers are ensured of defect free and fine quality products.

We have in-house capability to design and manufacture dies for complex sections. As a result, we are able to meet delivery schedules of customers. Our facilities include CNC Vertical Machining centers, CNC Wire Cut EDMs, CNC Spark Erosion EDM Milling machines.



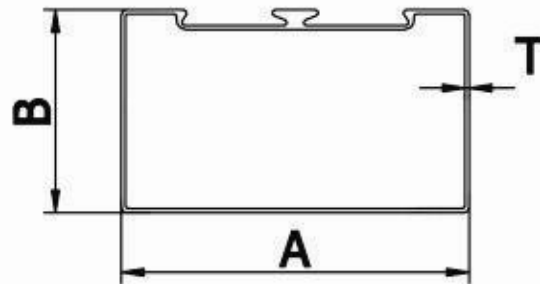


## Industries we are catering to....

- A) Construction**
- B) Furniture**
- C) Solar Power**
- D) LED Lighting**
- E) Electricals**
- F) Electronics**
- G) Auto Mobile**
- H) Consumer Durables**
- I) Agriculture**
- J) Industrial Applications & Many**

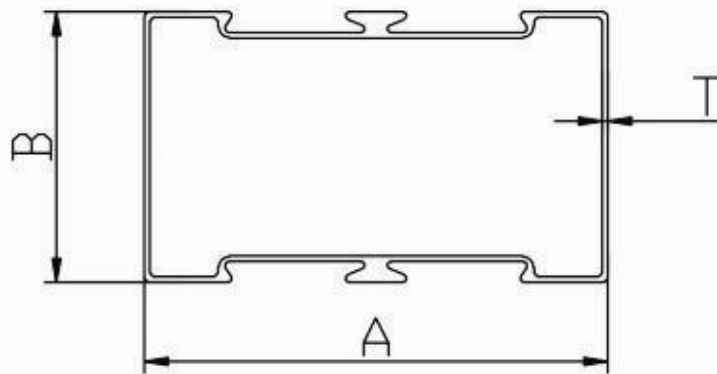
With a nationwide presence UAE is able to serve corporate clients from all Industry verticals, please check our standard profile catalog.

### PARTITION - SINGLE GROOVE



SECTION NO	A	B	T	WT. RANGE/12FT
U5001	50.80	25.40	0.75	1.50 - 1.75
U5002	50.80	25.40	0.90	1.75 - 2.00
U5003	50.80	25.40	1.10	2.00 - 2.40
U5004	50.00	25.00	0.60	1.30 - 1.50
U5005	62.00	36.00	0.65	1.60 - 1.80
U5006	63.50	38.10	0.80	1.80 - 2.05
U5007	63.50	38.10	0.90	2.05 - 2.25
U5008	63.50	38.10	1.05	2.20 - 2.50
U5009	63.50	38.10	1.15	2.50 - 3.00
U5010	63.50	38.10	1.30	3.00 - 3.50
U5011	63.50	38.10	1.65	3.50 - 4.20
U5012	63.50	38.10	2.20	4.20 - 5.50
U5013	63.50	38.10	2.80	5.50 - 6.00
U5014	101.60	44.50	1.00	3.20 - 3.60
U5015	101.60	44.50	1.40	4.20 - 4.60
U5013	63.50	38.10	0.95	2.00 - 2.20
U5014	63.50	38.10	1.00	2.20 - 2.40
U5015	63.50	38.10	1.10	2.40 - 2.70
U5016	63.50	38.10	1.25	2.70 - 3.00
U5017	63.50	38.10	1.40	3.00 - 3.30
U5018	63.50	38.10	1.55	3.30 - 3.60
U5019	63.50	38.10	1.70	3.60 - 4.00
U5020	63.50	38.10	2.00	4.00 - 4.50
U5021	63.50	38.10	2.25	4.50 - 5.00
U5022	63.50	38.10	2.50	5.00 - 5.50
U5023	101.60	44.50	1.25	<b>3.80 - 4.10</b>
U5024	101.60	44.50	1.65	4.65 - 5.10
U5025	101.60	44.50	1.90	5.50 - 6.00
U5026	101.60	44.50	2.30	6.50 - 7.00
U5027	101.60	44.50	2.60	7.50 - 8.00

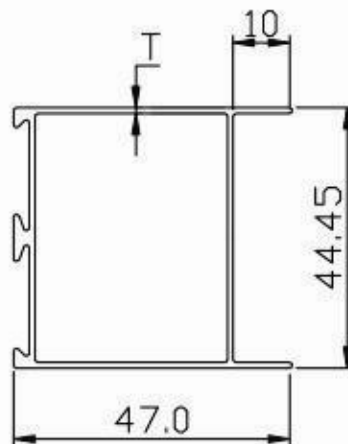
## PARTITION - DOUBLE GROOVE



SECTION NO	A	B	T	WT. RANGE /12ft
U5028	50.80	25.40	0.75	1.60 - 1.85
U5029	50.80	25.40	0.85	1.85 - 2.10
U5030	50.80	25.40	1.10	2.10 - 2.30
U5031	50.80	25.40	0.65	1.40 - 1.60
U5032	62.00	36.00	0.65	1.60 - 1.80
U5033	63.50	38.10	0.70	1.80 - 2.05
U5034	63.50	38.10	0.85	2.05 - 2.25
U5035	63.50	38.10	1.00	2.25 - 2.50
U5036	63.50	38.10	1.25	3.00 - 3.50
U5037	63.50	38.10	1.60	3.50 - 4.20
U5038	63.50	38.10	2.15	4.20 - 5.50
U5039	63.50	38.10	2.85	5.50 - 6.00
U5040	63.50	38.10	3.00	5.75 - 6.50
U5041	101.60	44.50	1.10	3.60 - 4.20
U5042	101.60	44.50	1.30	4.20 - 4.50
U5043	63.50	38.10	0.90	2.20 - 2.40
U5044	63.50	38.10	1.10	2.40 - 2.70
U5045	63.50	38.10	1.15	2.70 - 3.00
U5046	63.50	38.10	1.30	3.00 - 3.30
U5047	63.50	38.10	1.45	3.30 - 3.60
U5048	63.50	38.10	1.60	3.60 - 4.00
U5049	63.50	38.10	1.70	3.80 - 4.20
U5050	63.50	38.10	1.80	4.00 - 4.50
U5051	63.50	38.10	2.20	4.50 - 5.00
U5052	101.60	44.50	1.30	4.10 - 4.40
U5053	101.60	44.50	1.50	4.80 - 5.20
U5054	101.60	44.50	1.80	5.50 - 6.00
U5055	101.60	44.50	2.20	6.50 - 7.00
U5056	101.60	44.50	2.60	7.50 - 8.00

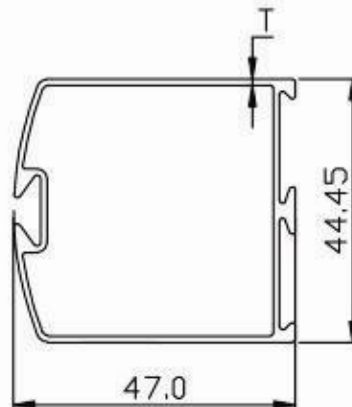


### DOOR-TOP



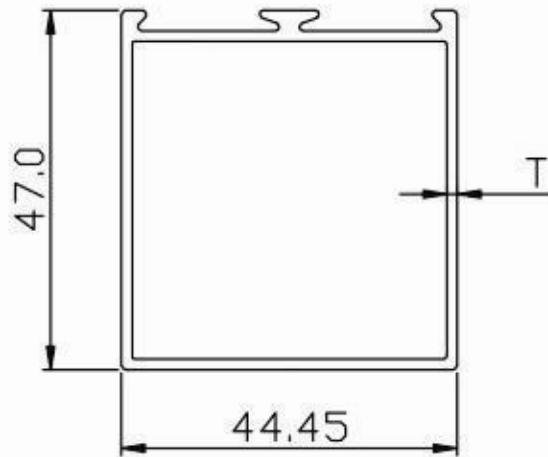
SECTION NO	T	WT.RANGE 3.66M
U5057	0.90	2.00 - 2.30
U5058	1.05	2.30 - 2.60
U5059	1.25	2.60 - 3.50
U5060	2.00	3.50 - 4.00
U5061	2.30	4.00 - 4.50
U5062	2.60	4.50 - 5.00
U5063	3.00	5.00 - 5.50

### DOOR-VERTICAL



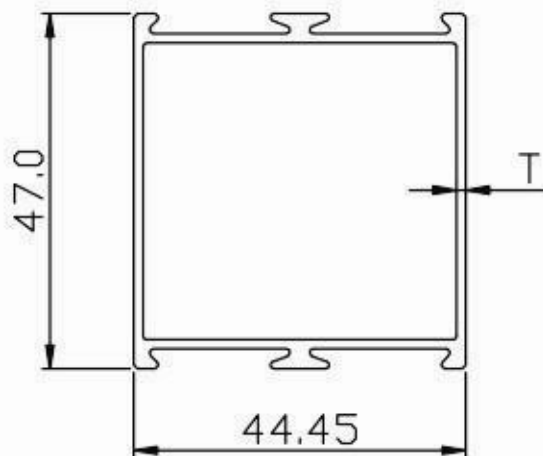
SECTION NO	T	WT.RANGE 2.135M
U5063	0.90	1.30 - 1.50
U5064	1.05	1.50 - 1.70
U5065	1.30	1.70 - 2.00
U5066	1.60	2.00 - 2.20
U5067	1.75	2.20 - 2.40
U5068	2.05	2.40 - 2.90
U5069	2.55	2.90 - 3.35
U5070	3.00	3.35 - 3.90
U5071	3.30	3.90 - 4.20

DOOR-MIDDLE(SINGLE)



SECTION NO	T	WT.RANGE 12FT
U5072	0.90	2.20 - 2.50
U5073	1.15	2.50 - 3.00
U5074	1.35	3.00 - 3.80
U5075	2.00	3.80 & Above

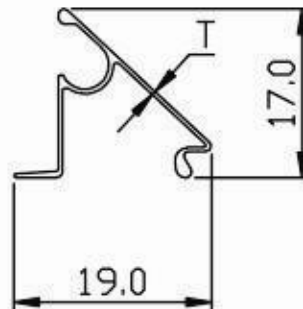
DOOR-MIDDLE(DOUBLE)



SECTION NO	T	WT.RANGE 12FT
U5076	0.90	2.10 - 2.50
U5077	1.15	2.50 - 3.00
U5078	1.50	3.00 - 3.80
U5079	2.00	3.80 - 4.50

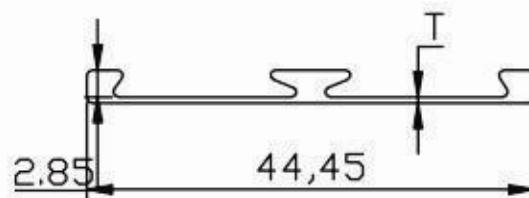


## GLAGING CLIP



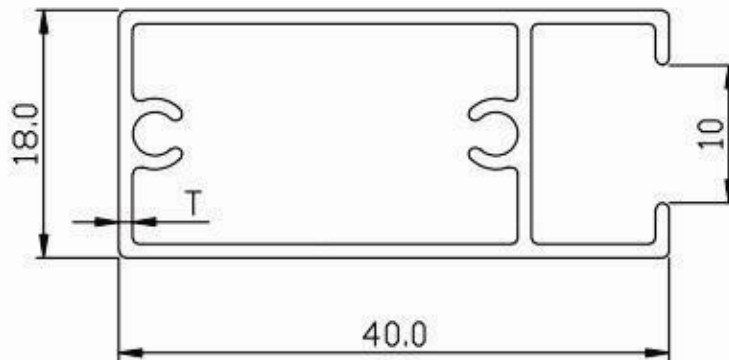
SECTION NO	T	WT.RANGE 3.66 M
U5091	0.65	0.24 - 0.28
U5092	0.75	0.28 - 0.32
U5093	0.85	0.32 - 0.36
U5094	0.95	0.36 - 0.40
U5095	1.10	0.40 - 0.45
U5096	1.25	0.45 - 0.50

## GLAGING FLAT



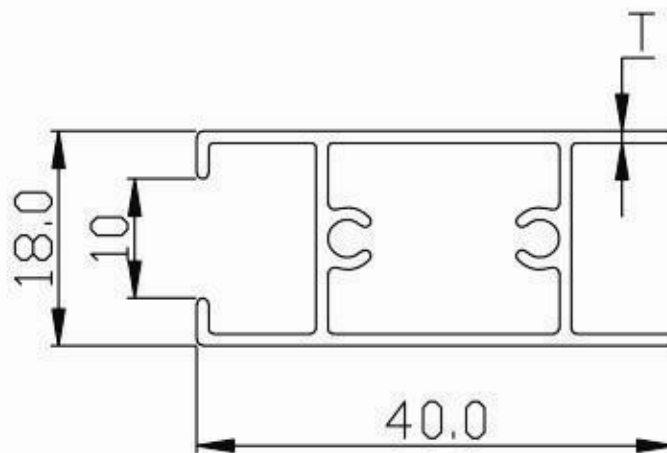
SECTION NO	T	WT.RANGE 3.66 M
U5097	1.05	0.75 - 0.90
U5098	1.40	0.90 - 1.20
U5099	2.10	1.20 - 1.60

### 18 MM SHUTTER HANDLE



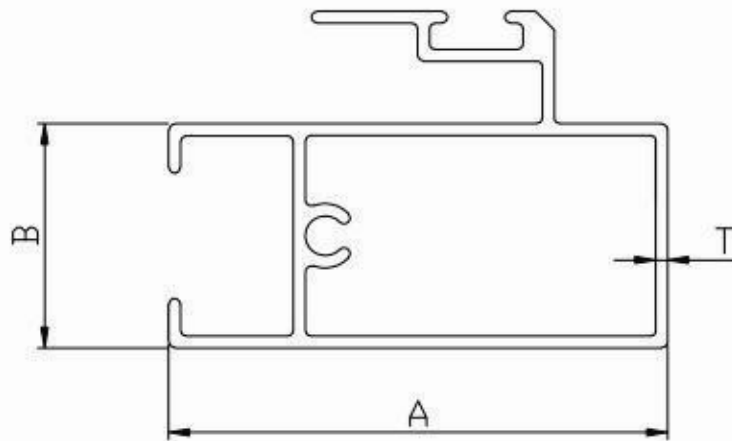
SECTION NO	T	WT.RANGE 3.66M
U5100	0.70	1.00 - 1.30
U5101	0.95	1.30 - 1.60
U5102	1.10	1.60 - 1.80
U5103	1.40	1.80 - 2.20

### 18 MM SHUTTER TOP / BOTTOM



SECTION NO	T	WT.RANGE 3.66M
U5104	0.70	1.00 - 1.30
U5105	0.95	1.30 - 1.60
U5106	1.10	1.60 - 1.80
U5107	1.40	1.80 - 2.10

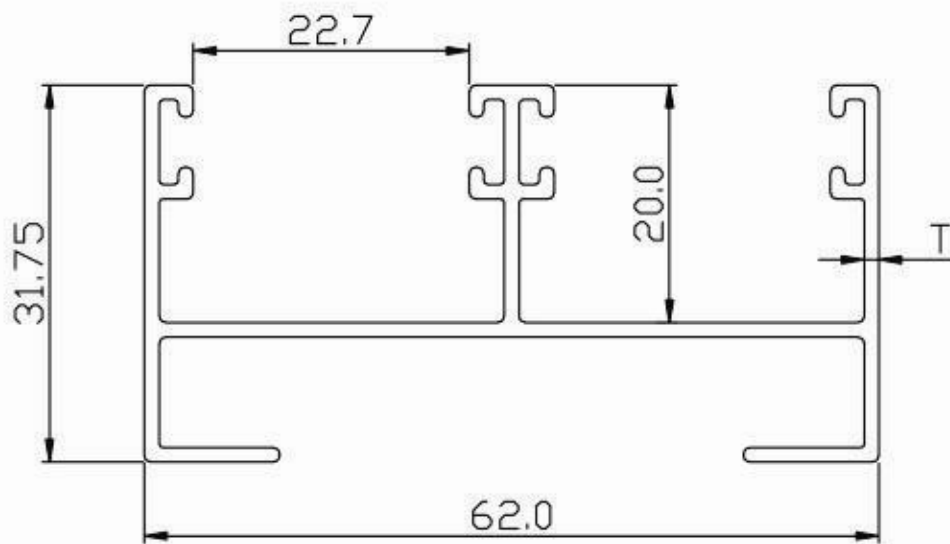
18 MM INTER LOCK



SECTION NO	A	B	T	WT.RANGE/12FT
U5108	40.00	18.00	0.90	1.20 - 1.40
U5109	40.00	18.00	1.05	1.60 - 1.80
U5110	40.00	18.00	1.40	2.00 - 2.40

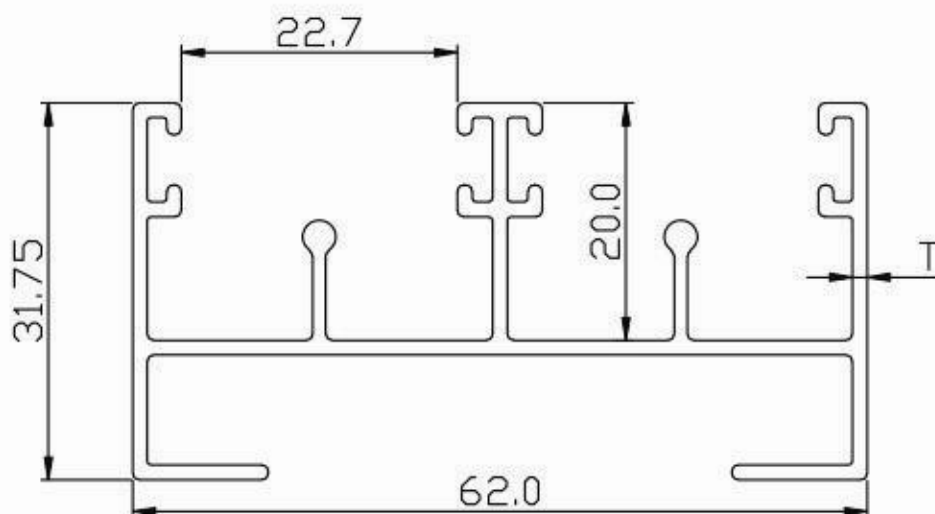


### 18 MM TWO TRACK SIDE/ TOP



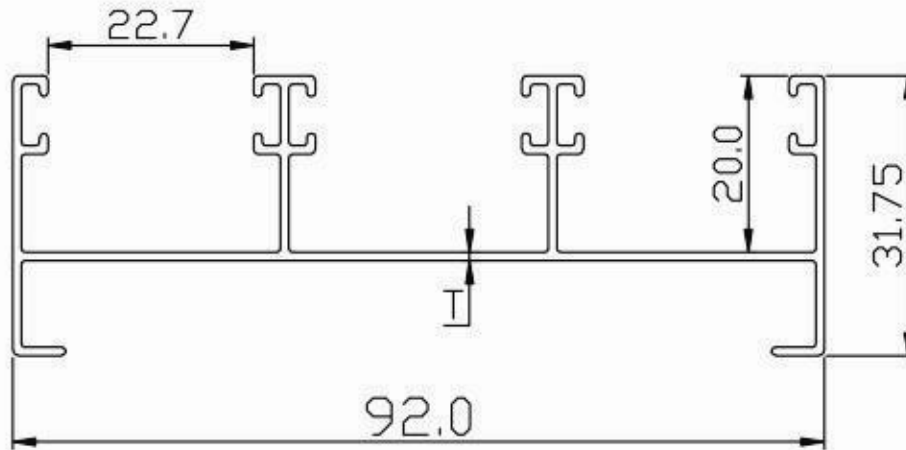
SECTION NO	T	WT. RANGE 3.66M
U5111	0.75	1.65 - 1.85
U5112	0.90	1.85 - 2.15
U5113	1.10	2.15 - 2.40

### 18 MM TWO TRACK BOTTOM



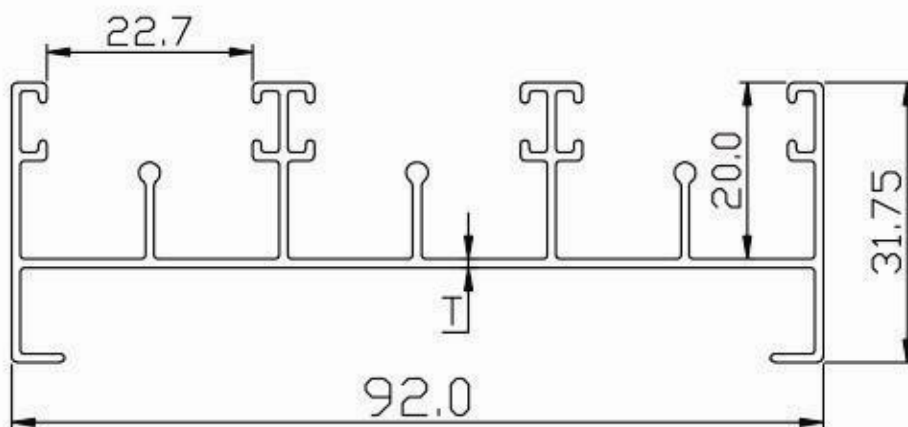
SECTION NO	T	WT. RANGE 3.66M
U5114	0.75	1.80 - 2.00
U5115	0.90	2.00 - 2.30
U5116	1.05	2.30 - 2.60

### 18 MM THREE TRACK SIDE/ TOP



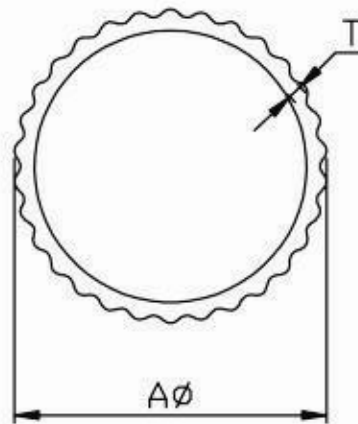
SECTION NO	T	WT. RANGE 3.66M
U5117	0.80	2.20 - 2.60
U5118	0.95	2.60 - 3.00
U5119	1.10	3.00 & Above

### 18 MM THREE TRACK BOTTOM



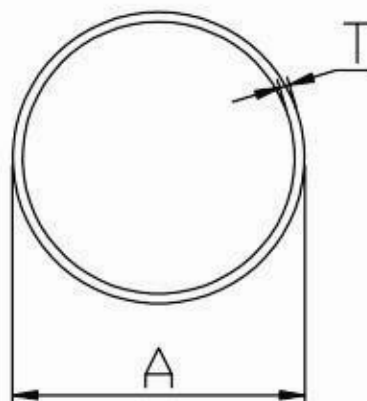
SECTION NO	T	WT. RANGE 3.66M
U5120	0.70	2.40 - 2.80
U5121	0.85	2.80 - 3.20
U5122	1.05	3.20 & Above

## FLUTTED TUBES



SECTION NO	A∅	T	WT. RANGE 3.66M
U5123	18.00	0.60	0.36 - 0.40
U5124	18.00	0.70	0.40 - 0.45
U5125	19.00	0.80	0.47 - 0.55
U5126	24.00	0.60	0.55 - 0.65
U5127	24.00	0.75	0.65 - 0.75
U5128	25.00	1.25	1.50 - 1.80

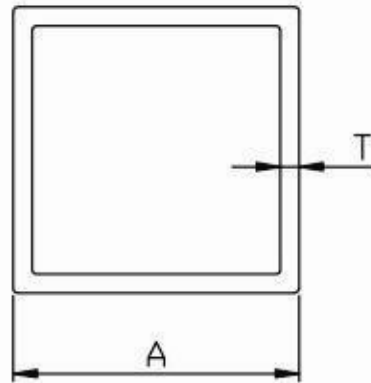
## ROUND TUBES



OD BEGINS FROM 9MM TO 50MM

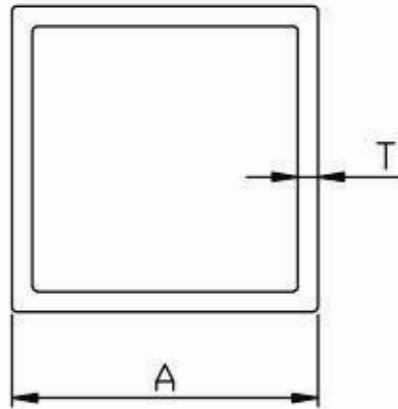


## SQUARE TUBES



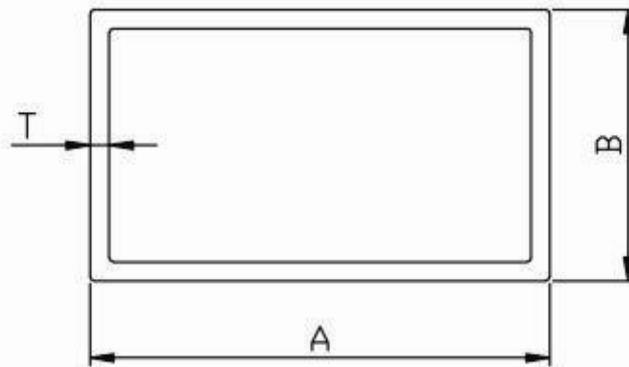
SECTION NO	A	T	WT. RANGE 3.66M
U5129	12.00	0.55	0.28 - 0.35
U5130	17.00	0.45	0.35 - 0.40
U5131	17.50	0.55	0.35 - 0.45
U5132	18.00	0.60	0.45 - 0.50
U5133	18.00	0.65	0.50 - 0.55
U5134	18.50	0.70	0.55 - 0.60
U5135	18.50	0.95	0.60 - 0.70
U5136	19.05	1.15	0.70 - 0.80
U5137	19.05	1.20	0.80 - 0.90
U5138	19.05	1.35	0.95 - 1.00
U5139	19.05	1.60	1.00 - 1.20
U5140	21 / 22	0.50	0.40 - 0.47
U5141	21 / 22	0.60	0.47 - 0.55
U5142	25.00	0.55	0.50 - 0.60
U5143	25.00	0.60	0.60 - 0.65
U5144	25.00	0.65	0.65 - 0.70
U5145	25.00	0.70	0.70 - 0.75
U5146	25.00	0.80	0.75 - 0.80
U5147	25.40	0.90	0.80 - 0.90
U5148	25.40	1.00	0.90 - 1.05
U5149	25.40	1.20	1.05 - 1.20
U5150	25.40	1.40	1.20 - 1.40
U5151	25.40	1.60	1.40 - 1.50
U5152	25.40	1.80	1.50 - 1.60
U5153	25.40	3.00	2.50 - 2.80
U5154	31.75	1.20	1.40 - 1.50
U5155	31.75	1.50	1.70 - 1.90
U5156	31.75	2.00	2.25 - 2.50
U5157	31.75	2.50	2.85 - 3.10

## SQUARE TUBES



SECTION NO	A	T	WT. RANGE 3.66M
U5158	31.75	3.00	3.50 - 3.75
U5159	36.00	0.70	0.95 - 1.20
U5160	37.00	0.85	1.50 - 1.80
U5161	37.00	1.05	1.80 - 2.10
U5162	37.00	1.20	1.70 - 1.90
U5163	38.00	2.40	2.60 - 2.80
U5164	38.00	3.00	4.20 - 4.40
U5165	48.00	0.80	1.50 - 1.70
U5166	48.00	0.90	1.70 - 1.90
U5167	50.80	0.95	1.90 - 2.20
U5168	50.80	1.10	2.40 - 2.60
U5169	50.80	1.30	2.50 - 3.00
U5170	50.80	1.50	3.00 - 3.70
U5171	50.80	1.85	3.70 - 3.90
U5172	50.80	2.35	4.60 - 4.80
U5173	50.80	2.85	5.40 - 5.70
U5174	60.00	4.00	8.80 - 9.00

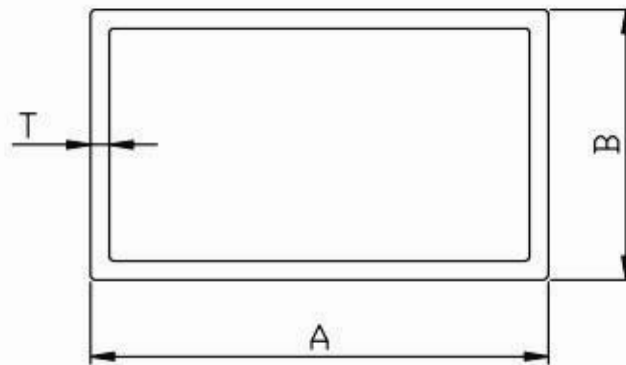
## RECTANGULAR TUBES



SECTION NO	A	B	T	WT.RANGE 3.66M
U5175	36.00	23.00	0.70	0.75 - 0.85
U5176	37.00	24.00	0.65	0.85 - 0.90
U5177	37.00	24.00	0.75	0.90 - 0.95
U5178	37.00	24.00	0.80	0.95 - 1.10
U5179	38.10	25.40	0.90	1.10 - 1.30
U5180	38.10	25.40	1.10	1.30 - 1.50
U5181	40.00	20.00	1.20	1.30 - 1.60
U5182	48.00	24.00	0.60	0.80 - 0.95
U5183	48.00	24.00	0.70	0.95 - 1.10
U5184	48.00	24.00	0.80	1.10 - 1.30
U5185	48.00	24.00	0.95	1.30 - 1.50
U5186	50.80	25.40	1.05	1.50 - 1.70
U5187	50.80	25.40	1.20	1.70 - 1.90
U5188	50.80	25.40	1.30	1.90 - 2.20
U5189	50.80	25.40	1.60	2.30 - 2.60
U5190	50.80	25.40	1.85	2.60 - 2.90
U5191	63.00	37.00	0.70	1.50 - 1.75
U5192	63.00	37.00	0.85	1.75 - 2.10
U5193	63.00	37.00	1.05	2.10 - 2.50
U5194	63.50	38.10	1.20	2.50 - 2.80
U5195	63.50	38.10	1.40	2.80 - 3.20
U5196	63.50	38.10	1.65	3.20 - 3.60
U5197	63.50	38.10	1.85	3.60 - 4.00
U5198	63.50	38.10	2.10	4.00 - 4.50
U5199	63.50	38.10	2.35	4.50 - 5.00
U5200	63.50	38.10	2.65	5.00 - 5.50
U5201	74.00	24.00	0.70	1.50 - 1.75
U5202	74.00	24.00	0.90	1.75 - 2.10
U5203	74.00	24.00	1.05	2.10 - 2.50
U5204	76.20	25.40	1.30	2.50 - 3.20

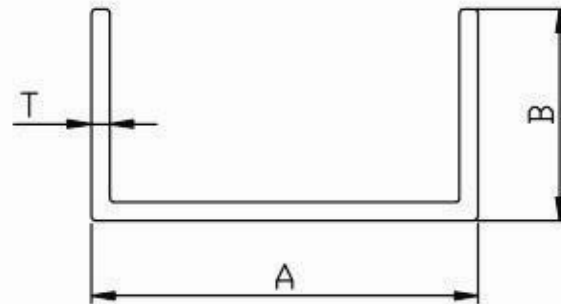


## RECTANGULAR TUBES



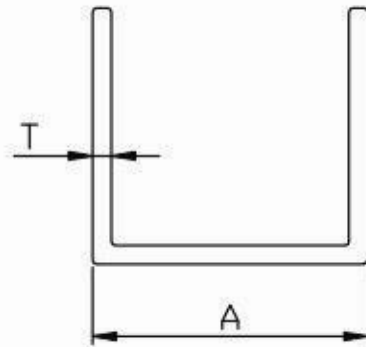
SECTION NO	A	B	T	WT. RANGE 3.66M
U5205	76.20	38.10	1.20	2.50 - 2.80
U5206	81.00	37.00	0.65	1.60 - 1.80
U5207	81.00	37.00	0.80	1.80 - 2.10
U5208	81.00	37.00	0.90	2.10 - 2.30
U5209	81.00	37.00	1.10	2.50 - 3.30
U5210	81.00	37.00	1.45	3.30 - 3.80
U5211	81.00	37.00	2.15	4.80 - 5.20
U5212	81.00	37.00	2.35	5.20 - 5.80
U5213	81.00	37.00	2.60	5.80 - 6.50
U5214	101.60	44.45	1.15	3.20 - 3.60
U5215	101.60	44.45	1.30	3.60 - 4.00
U5216	101.60	44.45	1.40	4.00 - 4.50
U5217	101.60	44.45	1.60	4.50 - 5.00
U5218	101.60	44.45	1.80	5.00 - 5.60
U5219	101.60	44.45	2.00	5.60 - 6.20
U5220	101.60	44.45	2.20	6.20 - 7.00
U5221	101.60	44.45	2.50	7.00 - 7.20
U5222	101.60	44.45	2.75	7.70 - 8.50
U5223	63.00	23.00	0.70	1.20 - 1.40
U5224	95.00	37.00	0.95	2.40 - 2.80
U5225	95.00	23.00	0.80	1.60 - 1.80
U5226	95.00	23.00	1.00	1.80 - 2.20
U5227	95.00	23.00	1.20	2.20 - 2.60
U5228	75.00	50.00	1.25	2.20 - 2.40
U5229	100.00	50.00	1.20	3.50 - 4.10
U5230	100.00	40.00	1.20	3.20 - 3.60
U5231	101.50	63.00	3.20	9.75 - 10.00
U5232	123.00	23.00	0.85	2.30 - 2.60
U5233	123.00	23.00	0.95	2.60 - 3.00

## UNEQUAL CHANNEL



SECTION NO	A	B	T	WT. RANGE 3.66M
U5234	9.00	8.00	0.50	0.12 - 0.14
U5235	9.00	8.00	0.60	0.14 - 0.17
U5236	10.00	9.00	1.00	0.25 - 0.30
U5237	12.00	10.00	0.55	0.17 - 0.20
U5238	12.00	10.00	0.70	0.20 - 0.26
U5239	15.00	12.00	0.70	0.25 - 0.30
U5240	15.00	12.00	0.85	0.30 - 0.35
U5241	18.00	12.00	0.90	0.35 - 0.40
U5242	18.00	12.00	1.05	0.40 - 0.45
U5243	18.00	12.00	1.15	0.45 - 0.50
U5244	19.00	12.00	1.25	0.50 - 0.55
U5245	19.00	12.00	1.40	0.55 - 0.60
U5246	22.00	19.00	1.15	0.65 - 0.70
U5247	24.00	12.70	0.80	0.37 - 0.42
U5248	24.00	12.70	0.90	0.42 - 0.47
U5249	24.00	12.70	1.00	0.47 - 0.52
U5250	25.40	12.70	1.10	0.52 - 0.60
U5251	25.40	12.70	1.25	0.60 - 0.65
U5252	25.40	12.70	2.50	1.08 - 1.20
U5253	30.00	12.70	0.95	0.40 - 0.45
U5254	30.00	12.70	0.85	0.45 - 0.50
U5255	30.00	12.70	0.95	0.50 - 0.55
U5256	31.75	12.70	1.50	0.75 - 0.85
U5257	40.00	20.00	1.15	0.85 - 0.95
U5258	50.00	25.80	4.78	4.20 - 4.60
U5259	50.80	25.40	1.70	1.65 - 1.85
U5260	50.80	38.10	2.75	3.30 - 3.60
U5261	100.00	30.00	3.00	4.40 - 4.60
U5262	150.00	30.00	3.00	6.80 - 7.20
U5263	55.00	60.00	4.80	9.70 - 10.00

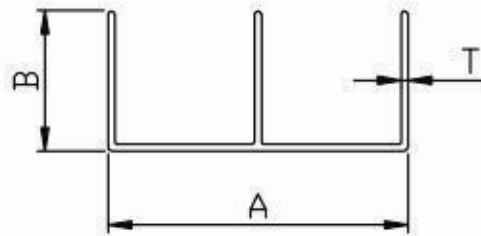
## EQUAL CHANNEL



SECTION NO	A	T	WT. RANGE 3.66M
U5264	9.52	0.60	0.16 - 0.18
U5265	9.52	0.70	0.18 - 0.22
U5266	9.52	0.85	0.22 - 0.25
U5267	9.52	0.95	0.25 - 0.30
U5268	10.00	1.00	0.28 - 0.32
U5269	12.70	0.70	0.25 - 0.30
U5270	12.70	0.80	0.30 - 0.35
U5271	12.70	1.00	0.35 - 0.40
U5272	12.70	1.15	0.40 - 0.50
U5273	14.00	1.15	0.45 - 0.50
U5274	16.00	1.15	0.52 - 0.60
U5275	18.00	1.00	0.50 - 0.55
U5276	20.00	1.00	0.55 - 0.60
U5277	25.00	1.00	0.70 - 0.80

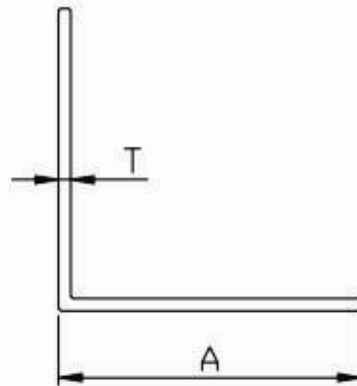


## DOUBLE CHANNEL



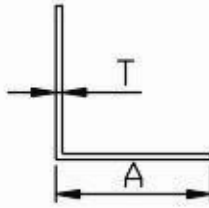
SECTION NO	A	B	T	WT. RANGE 3.66M
U5278	17.00	10.00	0.70	0.30 - 0.35
U5279	18.00	11.00	0.70	0.35 - 0.40
U5280	22.00	11.50	0.65	0.35 - 0.40
U5281	22.00	11.50	0.75	0.40 - 0.45
U5282	22.00	11.50	0.85	0.45 - 0.50
U5283	22.00	11.50	0.95	0.50 - 0.55
U5284	22.00	11.50	1.05	0.55 - 0.60
U5285	22.00	11.50	1.15	0.60 - 0.65
U5286	22.00	11.50	1.25	0.65 - 0.70
U5287	22.00	11.50	1.35	0.70 - 0.80
U5288	22.20	9.50	0.90	0.40 - 0.50
U5289	30.00	15.00	0.95	0.60 - 0.70
U5290	30.00	15.00	1.05	0.70 - 0.75

## EQUAL ANGLE



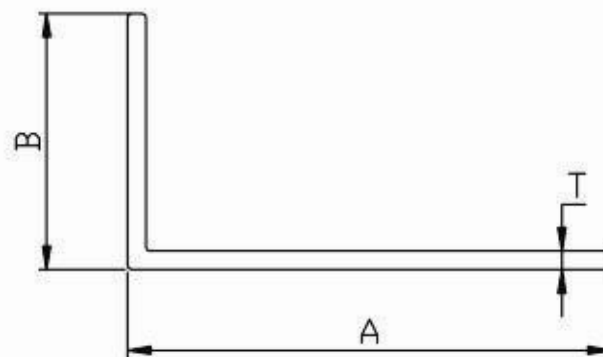
SECTION NO	A	T	WT. RANGE 3.66M
U5291	12.00	0.70	0.16 - 0.20
U5292	12.00	0.90	0.20 - 0.26
U5293	12.70	1.10	0.26 - 0.32
U5294	12.70	1.35	0.32 - 0.36
U5295	18.00	0.90	0.30 - 0.36
U5296	18.00	1.05	0.36 - 0.45
U5297	19.00	1.25	0.45 - 0.50
U5298	19.00	1.55	0.55 - 0.60
U5299	19.00	1.75	0.62 - 0.67
U5300	19.00	2.00	0.70 - 0.75
U5301	19.00	2.15	0.75 - 0.80
U5302	19.00	2.40	0.85 - 0.91
U5303	19.00	2.75	0.95 - 1.10
U5304	19.00	3.18	1.10 - 1.25
U5305	23.00	0.80	0.35 - 0.40
U5306	24.00	1.00	0.45 - 0.50
U5307	25.00	1.20	0.55 - 0.60
U5308	25.00	1.40	0.67 - 0.75
U5309	25.00	1.75	0.82 - 0.90
U5310	25.40	1.90	0.87 - 0.97
U5311	25.40	2.05	0.97 - 1.15
U5312	25.40	2.40	1.15 - 1.30
U5313	25.40	2.80	1.30 - 1.40
U5314	25.40	3.00	1.40 - 1.50
U5315	25.00	6.00	2.50 - 2.80
U5316	28.00	2.50	1.30 - 1.60
U5317	30.00	1.00	0.57 - 0.72
U5318	30.00	1.15	0.67 - 0.72
U5319	30.00	1.50	0.87 - 0.95

### EQUAL ANGLE



SECTION NO	A	T	WT. RANGE 3.66M
U5320	30.00	1.70	0.97 - 1.10
U5321	30.00	1.95	1.10 - 1.20
U5322	30.00	2.20	1.25 - 1.35
U5323	30.00	2.35	1.30 - 1.40
U5324	30.00	2.55	1.45 - 1.60
U5325	30.00	3.00	1.70 - 1.80
U5326	30.00	3.70	2.00 - 2.20
U5327	38.00	1.00	0.72 - 0.77
U5328	38.00	1.20	0.87 - 0.92
U5329	38.00	1.40	1.00 - 1.20
U5330	38.00	1.70	1.25 - 1.35
U5331	38.00	1.90	1.40 - 1.50
U5332	38.00	2.20	1.60 - 0.70
U5333	38.00	2.35	1.70 - 1.80
U5334	38.00	2.80	1.90 - 2.10
U5335	38.00	3.10	2.10 - 2.20
U5336	40.00	2.90	2.20 - 2.40
U5337	40.00	3.80	2.80 - 3.00
U5338	40.00	4.75	3.50 - 3.70
U5339	50.00	1.00	0.97 - 1.15
U5340	50.00	1.45	1.40 - 1.55
U5341	50.00	1.70	1.65 - 1.80
U5342	50.00	1.90	1.80 - 2.00
U5343	50.00	2.20	2.10 - 2.30
U5344	50.00	2.40	2.30 - 2.50
U5345	50.00	2.70	2.60 - 2.80
U5346	50.00	2.90	2.80 - 3.00
U5347	50.00	3.90	3.70 - 3.90
U5348	50.00	4.85	4.60 - 4.80
U5349	50.00	5.85	5.50 - 5.70
U5350	60.00	2.80	3.25 - 3.50
U5351	63.50	1.65	2.00 - 2.30
U5352	76.00	3.00	4.00 - 4.30
U5353	76.00	5.00	6.70 - 6.90

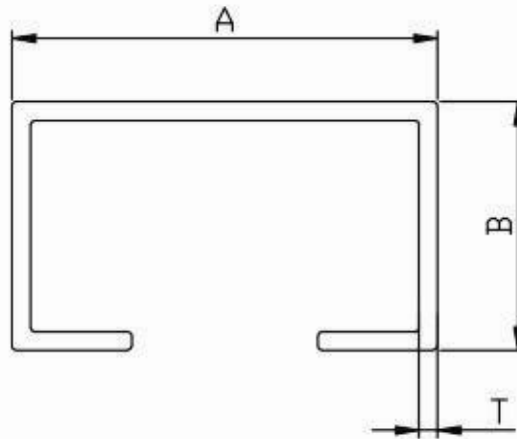
UNEQUAL ANGLE



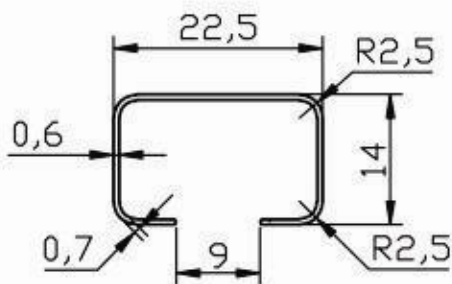
SECTION NO	A	B	T	WT. RANGE 3.66M
U5354	38.10	25.40	2.40	1.20 - 1.40
U5355	38.10	25.40	2.85	1.70 - 2.00



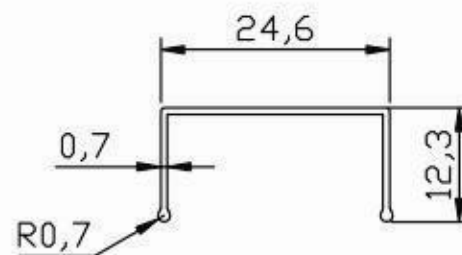
### CEE CHANNEL



SECTION NO	A	B	T	WT. RANGE 3.66M
U5356	22.00	14.00	0.65	0.37 - 0.41
U5357	22.00	14.00	0.70	0.41 - 0.45
U5358	22.00	14.00	0.80	0.45 - 0.49
U5359	22.00	14.00	0.85	0.49 - 0.53
U5360	22.00	14.00	0.95	0.53 - 0.57
U5361	22.00	14.00	1.00	0.57 - 0.62
U5362	22.00	14.00	1.10	0.62 - 0.67
U5363	22.00	14.00	1.20	0.67 - 0.72
U5364	22.00	14.00	1.25	0.72 & Above
U5365	17.50	6.00	0.80	0.27 - 0.32
U5366	14.30	7.94	0.80	0.25 - 0.30
U5367	81.00	38.00	2.80	5.20 - 5.40

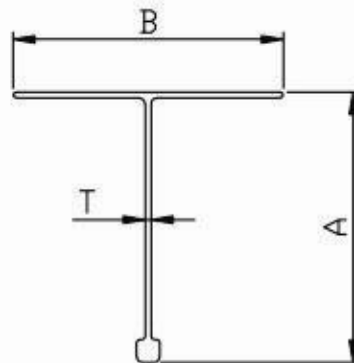


WT:0.350 KG/12'



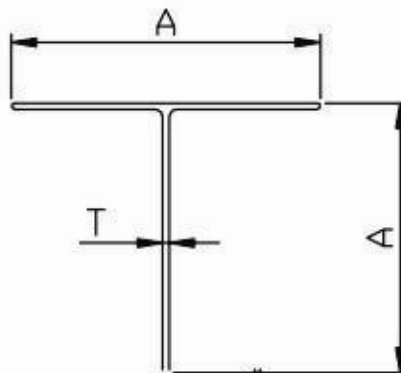
0.350 KG/12'

## BULB TEE



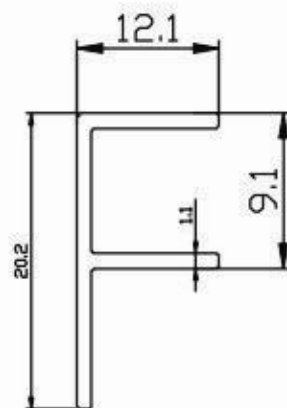
SECTION NO	A	B	T	WT. RANGE 3.66M
U5368	24.00	24.00	0.60	0.33 - 0.37
U5369	24.00	24.00	0.70	0.37 - 0.41
U5370	25.00	25.00	0.75	0.41 - 0.45
U5371	25.00	25.00	0.85	0.45 - 0.50
U5372	25.00	25.00	0.95	0.50 - 0.55
U5373	25.00	25.00	1.00	0.55 - 0.60
U5374	25.00	25.00	1.10	0.60 - 0.65
U5375	25.40	25.40	1.20	0.65 - 0.70
U5376	25.40	25.40	1.35	0.70 - 0.75
U5377	25.40	25.40	1.45	0.75 - 0.80
U5378	30.00	30.00	0.85	0.55 - 0.60
U5379	30.00	30.00	0.95	0.60 - 0.65
U5380	30.00	30.00	1.00	0.65 - 0.70
U5381	30.00	30.00	1.10	0.70 - 0.75
U5382	31.75	31.75	1.15	0.75 - 0.80
U5383	31.75	31.75	1.25	0.80 - 0.85
U5384	31.75	31.75	1.30	0.85 - 0.90
U5385	31.75	31.75	1.45	0.92 - 0.97
U5386	37.00	37.00	0.95	0.75 - 0.80
U5387	38.00	38.00	1.00	0.80 - 0.85
U5388	38.00	38.00	1.10	0.85 - 0.90
U5389	38.00	38.00	1.15	0.90 - 0.95
U5390	38.10	38.10	1.20	0.95 - 1.05
U5391	38.10	38.10	1.40	1.05 - 1.20
U5392	38.10	38.10	1.60	1.20 - 1.30
U5393	38.00	25.00	0.90	0.62 - 0.66
U5394	38.00	25.00	1.00	0.66 - 0.70
U5395	38.00	25.00	1.05	0.70 - 0.75
U5396	38.00	25.00	1.15	0.75 - 0.80
U5397	38.10	25.40	1.20	0.80 - 0.85
U5398	38.10	25.40	1.30	0.85 - 0.90
U5399	38.10	25.40	1.40	0.90 - 0.95

### PLAIN TEE

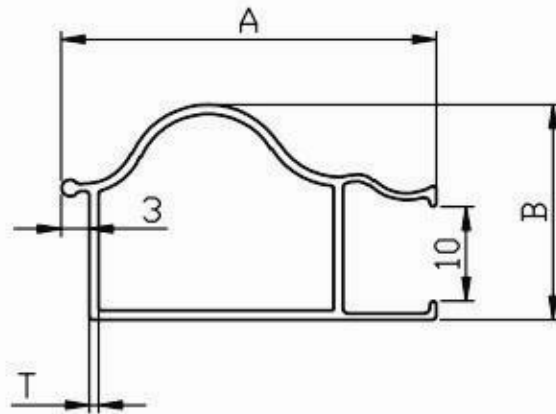


SECTION NO	A	T	WT. RANGE 3.66M
U5400	11.00	0.60	0.12 - 0.14
U5401	16.00	0.50	0.14 - 0.17
U5402	38.00	3.00	2.10 - 2.30
U5403	50.00	6.00	5.50 - 5.70

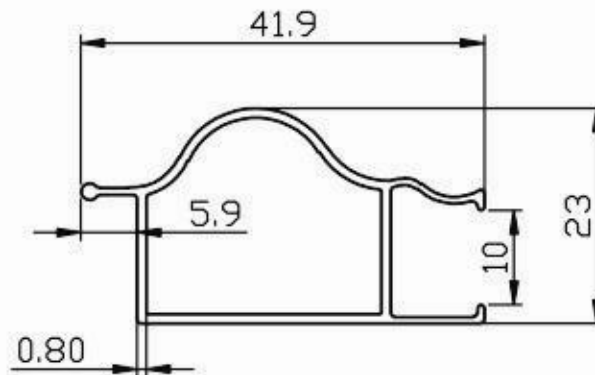
### F SECTION



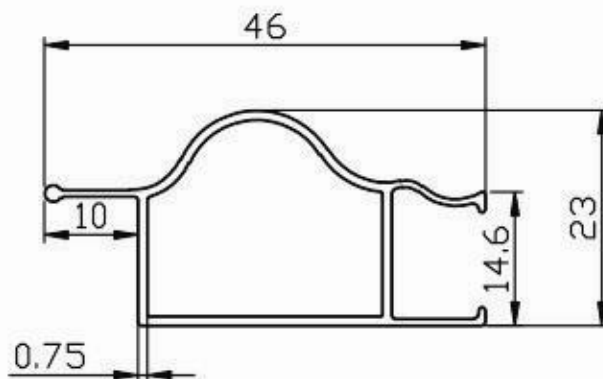
SECTION NO	WT. RANGE/12FT
U5404	0.45 - 0.60



SECTION NO	A	B	T	WT.RANGE/12FT
U5405	36.80	23.00	0.80	0.95 - 1.10

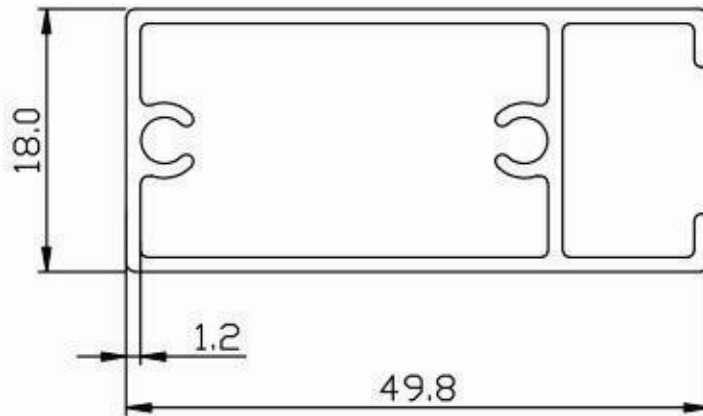


SECTION NO	WT.RANGE/12FT
U5406	1.00 - 1.20



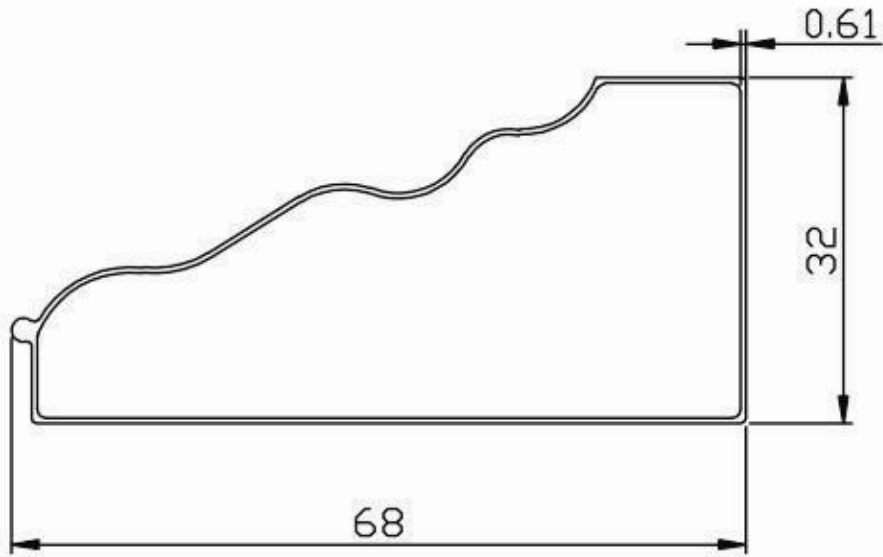
SECTION NO	WT.RANGE/12FT
U5407	0.85 - 1.05

18 MM SPECIAL HANDLE



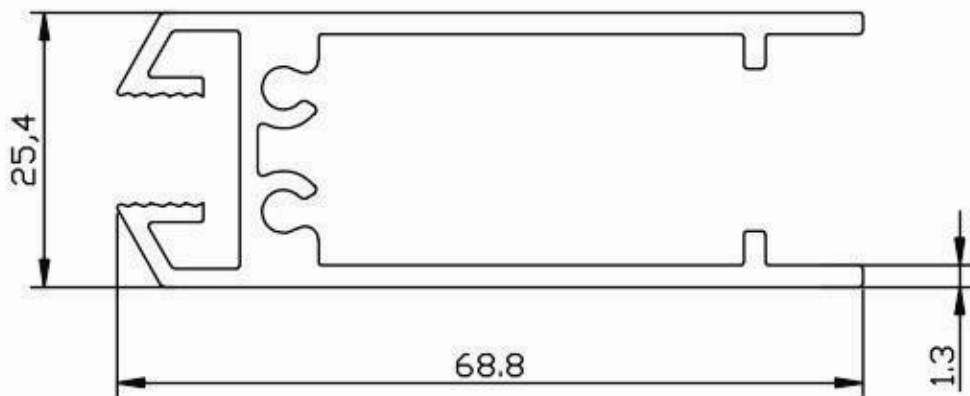
SECTION NO	WT.RANGE/12FT
U5408	1.80 - 2.00





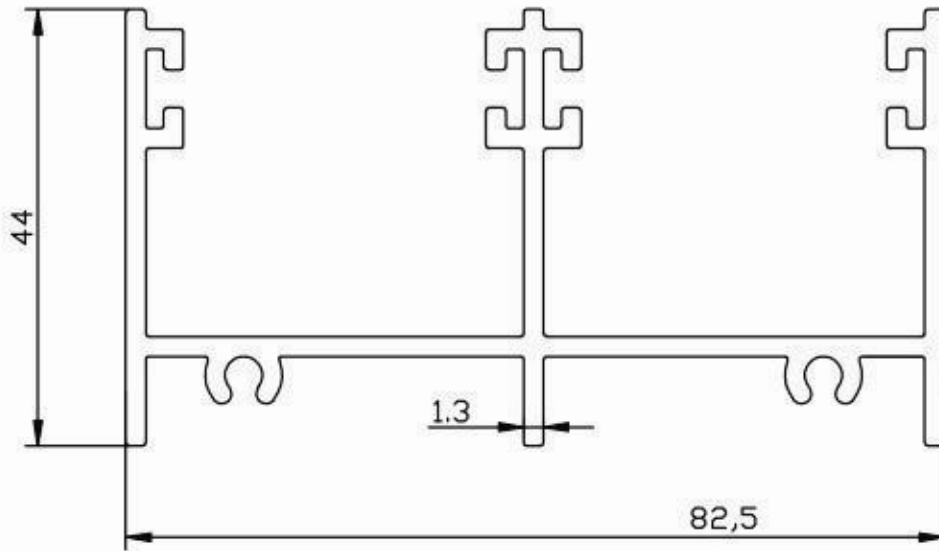
**SECTION NO : U5412**

WEIGHT - 1.3 -1.5 KG/12 FT



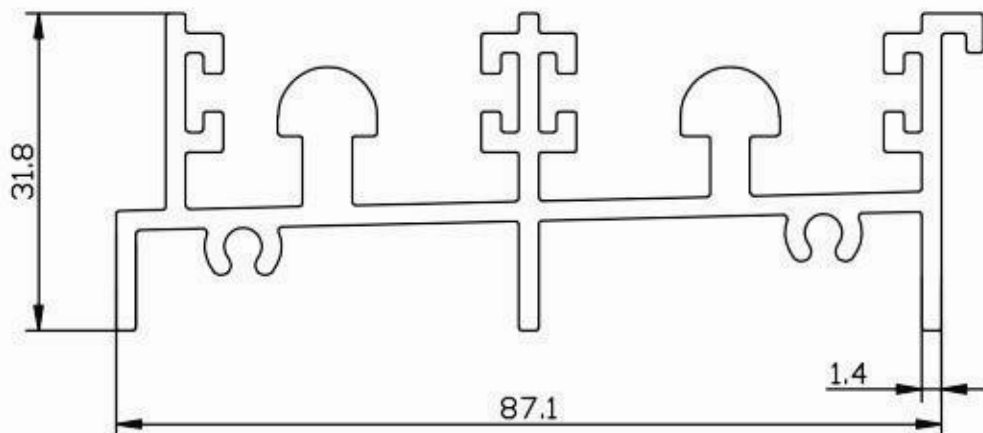
**SECTION NO : U5413**

WEIGHT - 2.650 -2.950 KG/12 FT



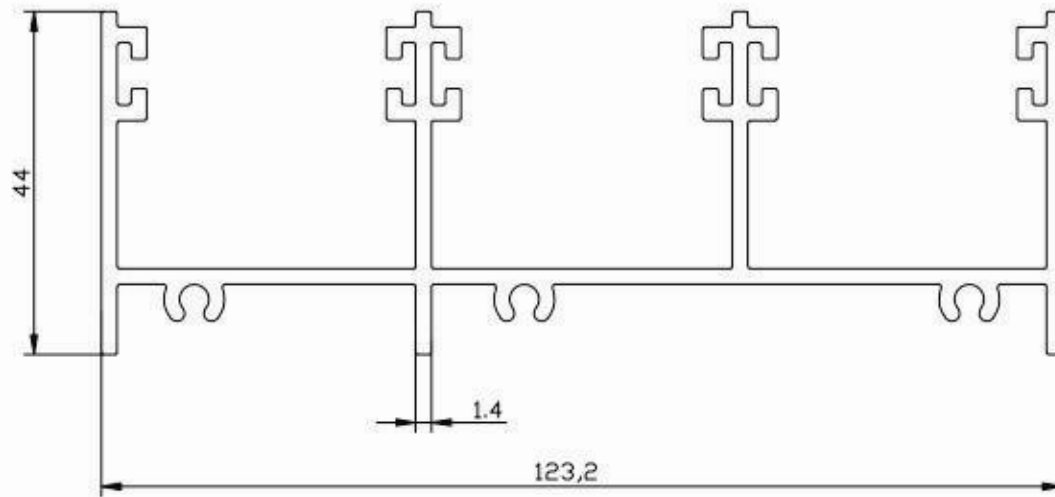
**SECTION NO : U5414**

WEIGHT - 3.30 -3.60 KG/12 FT



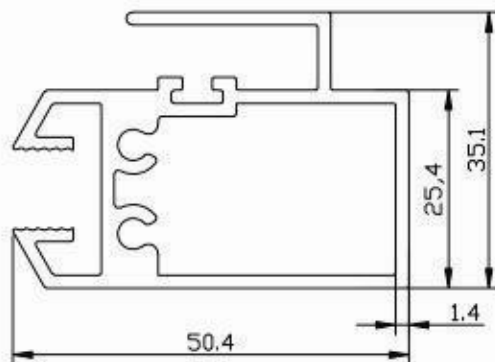
**SECTION NO : U5415**

WEIGHT - 4.20 -4.50 KG/12 FT



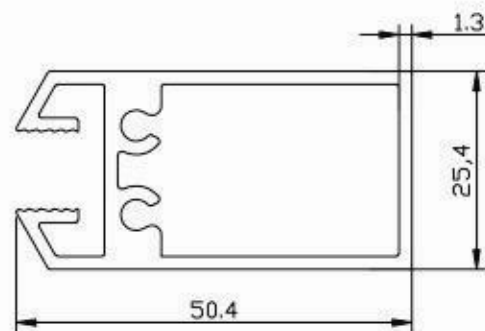
**SECTION NO : U5416**

WEIGHT - 4.40 -4.70 KG/12 FT



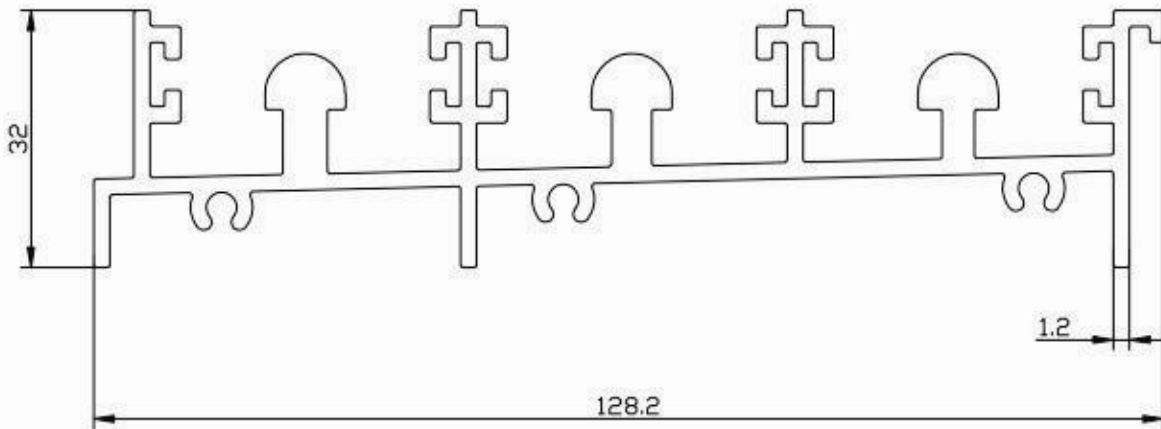
**SECTION NO : U5417**

WEIGHT - 3.10 -3.30 KG/12 FT



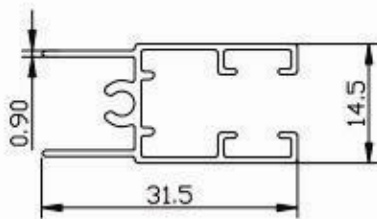
**SECTION NO : U5418**

WEIGHT - 2.60 -2.90 KG/12 FT



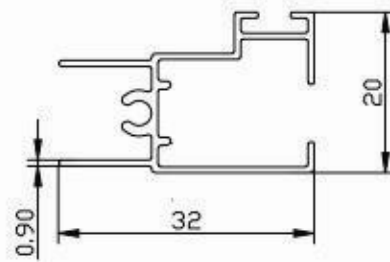
**SECTION NO : U5419**

WEIGHT - 4.70 -5.00 KG/12 FT



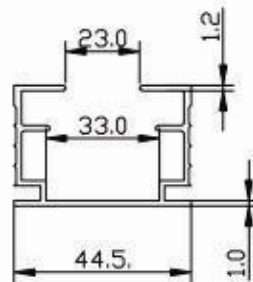
**SECTION NO : U5420**

WEIGHT - 0.750 -0.900 KG/12 FT



**SECTION NO : U5421**

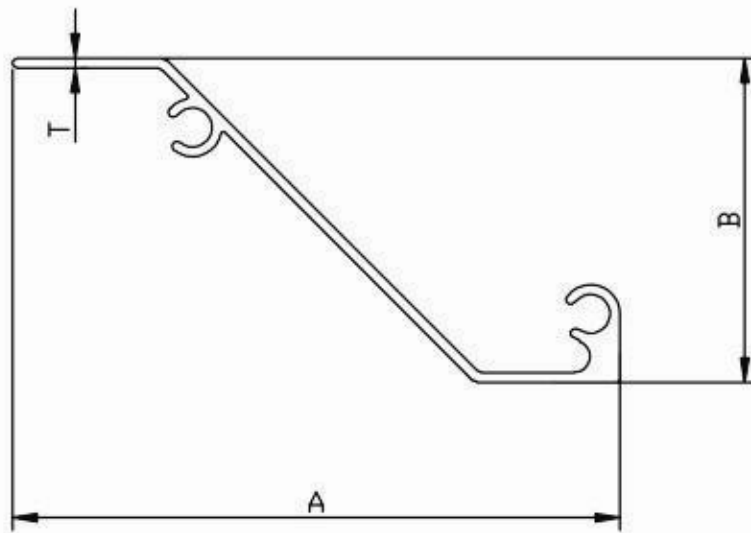
WEIGHT - 0.850 -1.00 KG/12 FT



**SECTION NO : U5422**

WEIGHT - 1.150 -1.350 KG/12 FT





SECTION NO	A	B	T	WT. RANGE/12FT
U5423	64.00	34.00	1.30	1.10 - 1.30

We can also provide any other designs within 20 days, with  
minimum order quantity



**UNIC ALUTECH PVT. LTD.**

BANGALORE | HYDERABAD | NEW DELHI | MUMBAI

For sales enquiry contact Mr.Kamal @ +91.7259518888, E-mail - [kamal@unic.bz](mailto:kamal@unic.bz)